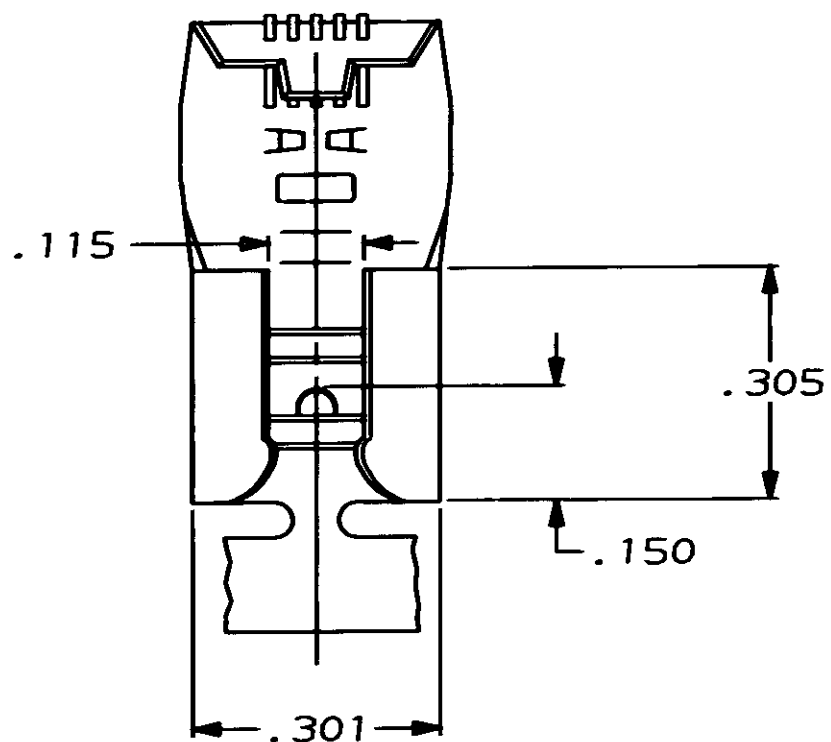
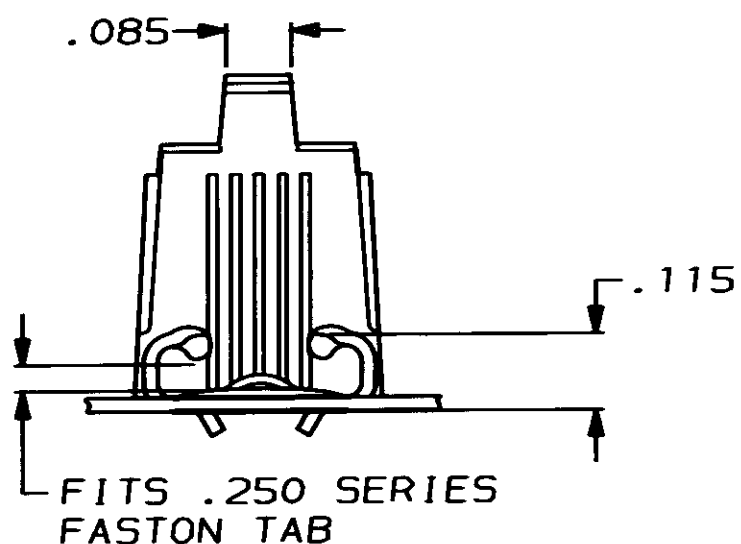



THIS DRAWING IS UNPUBLISHED. RELEASED FOR PUBLICATION, 19
 © COPYRIGHT 1971 BY AMP INCORPORATED, HARRISBURG, PA. ALL INTERNATIONAL RIGHTS RESERVED. AMP PRODUCTS MAY BE COVERED BY U.S. AND FOREIGN PATENTS AND/OR PATENTS PENDING.

LOC	DIST			REVISIONS				
AF	50	P	F	ZONE	LTR	DESCRIPTION	DATE	APPROVED
					H	REVISED AF-7659	10/17/91	JR/CM



1- CONTINUOUS STRIP ON REELS.



12-10 OR (2) #14	.032 ±.001	PRE-TIN	.016 4M BRASS	62011-2
12-10 OR (2) #14	.032 ±.001	---	.016 4M BRASS	62011-1
WIRE SIZE	TAB THK	FINISH	MATERIAL	PART NO
UNLESS OTHERWISE SPECIFIED DIMENSIONS ARE IN INCHES TOLERANCES ON:	DR 2/3/86 JR RUTH	 AMP INCORPORATED Harrisburg, Pa. 17105		
2 PL DEC ± _____	CHK 2/3/86 MS FEHER			
3 PL DEC ± .015	APPD 2/5/86 C MEYERS	NAME	RECEPTACLE, FASTON, FLAG, .250 SERIES	
ANGLES ± _____	APPD 2/5/86 R KUZO	SIZE	FSCM NO	DRAWING NO
MATERIAL	PRODUCT SPEC	B	00779	62011
SEE TABLE	APPLICATION SPEC	SCALE	NTS	SHEET 1 OF 1
FINISH	WEIGHT			
SEE TABLE				